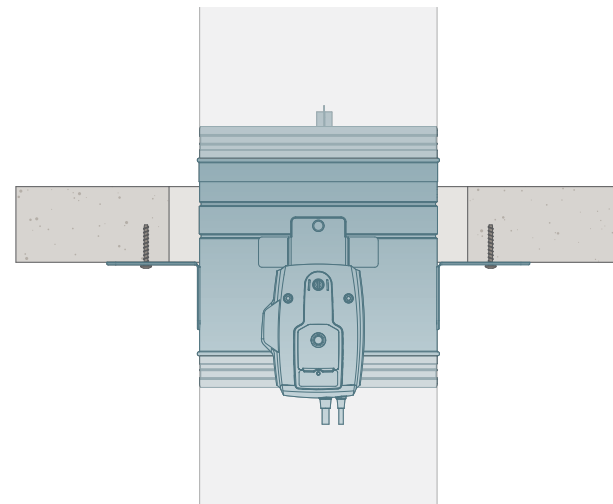
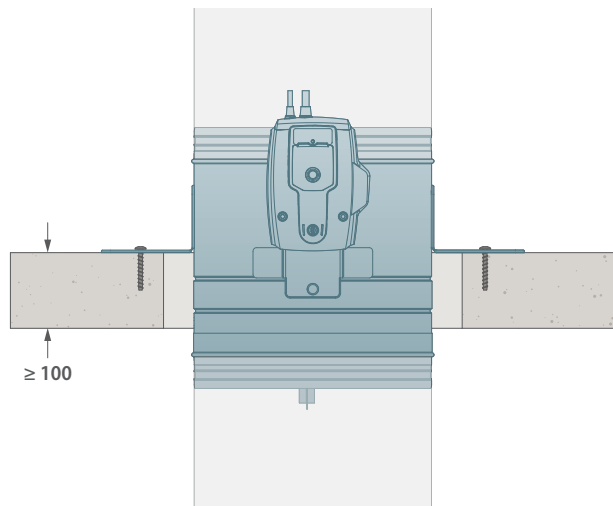
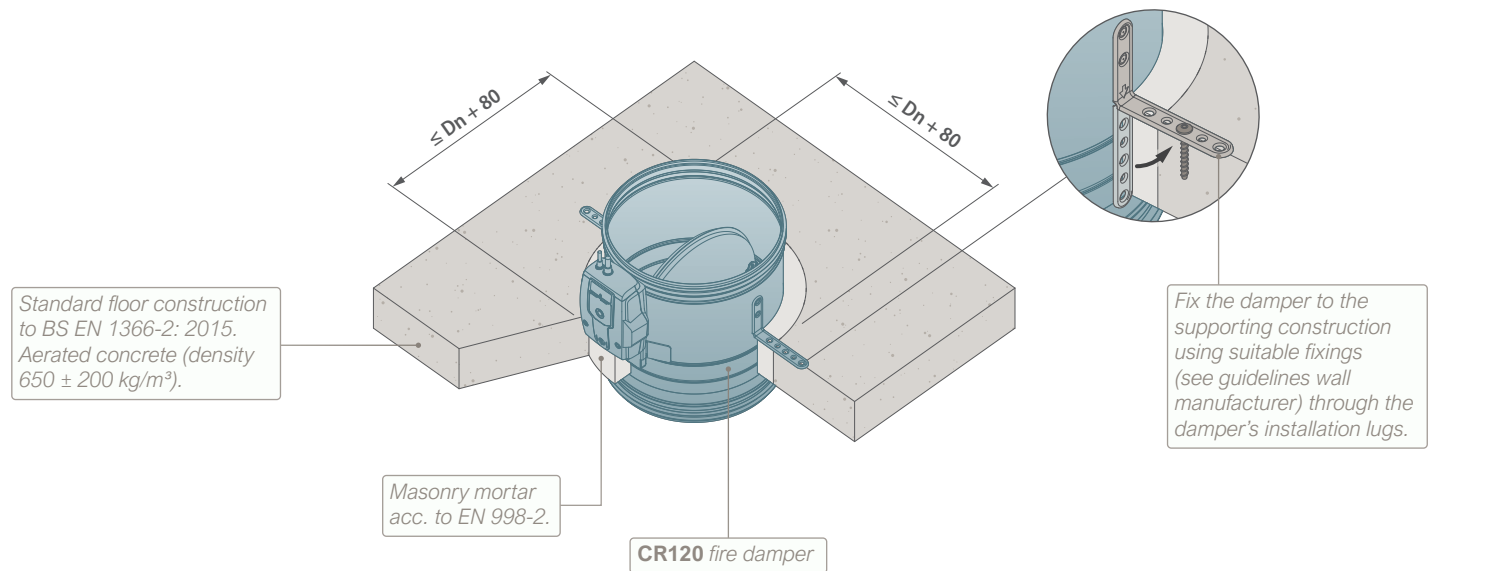
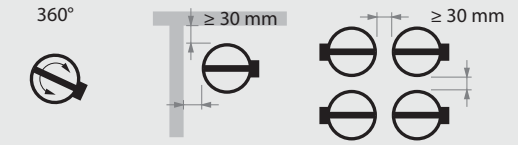


CR120 FIRE DAMPER



TECHNICAL FEATURES

- Damper range: ø100 till 315.
- Damper can be installed with mechanism on either side of the supporting construction (independent of fire side).
- A max. of 4 fire dampers can be installed at tested minimal distances from an adjacent vertical (supporting) construction or another fire damper. See detailed guidelines in the CR120 Technical Datasheet.



- To be read in conjunction with the CR120 Fire Damper Technical Datasheet.
- Guidelines acc. to DW144/145 (not required for CE):
 - 1 installation lug is included by default. A 2nd lug, as shown in the drawings, is available upon request.
 - Provide appropriate break-away / flexible joint between fire damper and connecting ductwork on both sides of the assembly (DW145: eg socket & spigot or flanged with appropriate fixings eg plastic cleats, clips, clamps, bolts, aluminium alloy rivets etc.).
 - Provide a panel in the adjacent ductwork to allow access to the internal components of the fire damper.
 - Ductwork must be independently supported and installed (DW144).
- Dimensions in mm unless otherwise stated.

TECHNICAL DATASHEET



INSPECTION AND HANDOVER CHECK LIST



PLAN TITLE

CR120 fire damper in rigid horizontal supporting construction. Installation detail with mortar.

CLASSIFICATION

EI 90 (ho i↔o)S

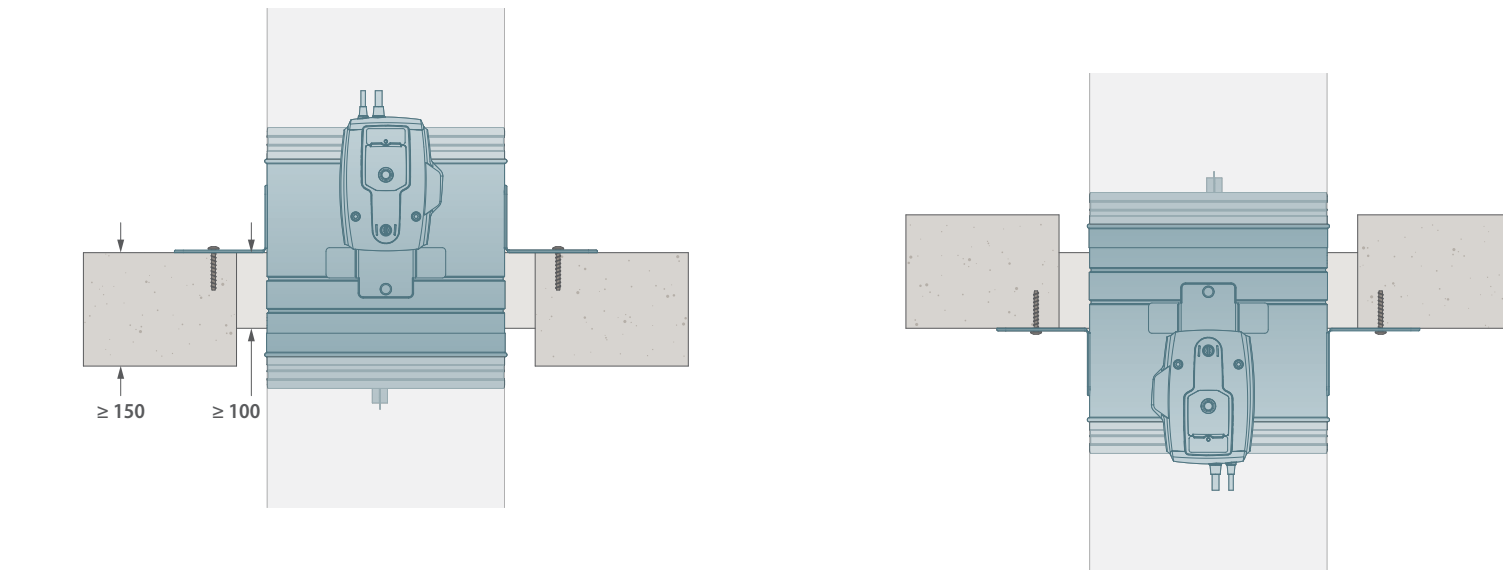
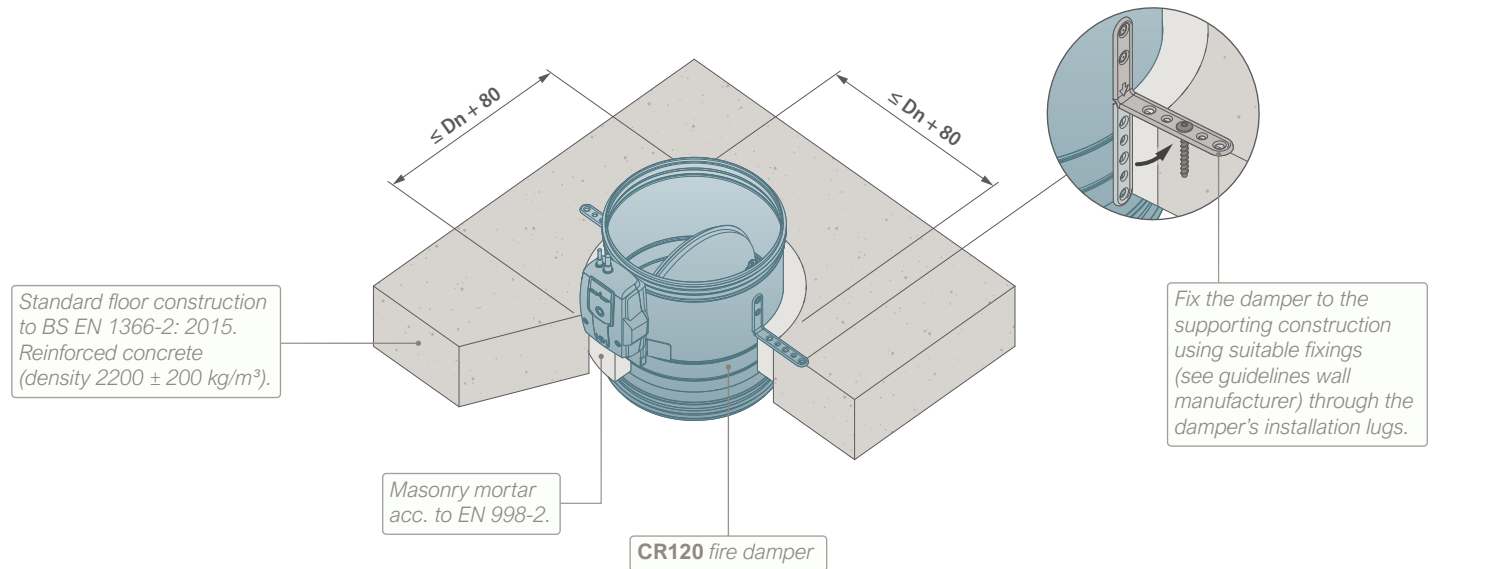


REV
A

DATE
07/11/2023

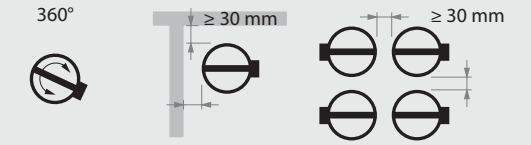


CR120 FIRE DAMPER



TECHNICAL FEATURES

- Damper range: ø100 till 315.
- Damper can be installed with mechanism on either side of the supporting construction (independent of fire side).
- A max. of 4 fire dampers can be installed at tested minimal distances from an adjacent vertical (supporting) construction or another fire damper. See detailed guidelines in the CR120 Technical Datasheet.



- To be read in conjunction with the CR120 Fire Damper Technical Datasheet.
- Guidelines acc. to DW144/145 (not required for CE):
 - 1 installation lug is included by default. A 2nd lug, as shown in the drawings, is available upon request.
 - Provide appropriate break-away / flexible joint between fire damper and connecting ductwork on both sides of the assembly (DW145: eg socket & spigot or flanged with appropriate fixings eg plastic cleats, clips, clamps, bolts, aluminium alloy rivets etc.).
 - Provide a panel in the adjacent ductwork to allow access to the internal components of the fire damper.
 - Ductwork must be independently supported and installed (DW144).
- Dimensions in mm unless otherwise stated.

TECHNICAL DATASHEET



INSPECTION AND HANDOVER CHECK LIST



PLAN TITLE

CR120 fire damper in rigid horizontal supporting construction. Installation detail with mortar.

CLASSIFICATION

EI 120 (ho i↔o)S



REV
A

DATE
07/11/2023

